



BROWNIE TROOP enjoyed an Monday evening visiting the local volunteer firemen. The visit kicked off the scouts' project "Spread the Bread" showing appreciation for those who give of themselves unselfishly.
Herald staff photos by Casey McCormick

Extension Notes

Spring core aeration lets grass 'breathe'

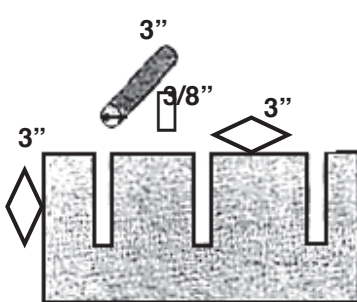
Lawns with compacted soil dry out quickly, putting turf life at risk — even if homeowners crank up the sprinklers.

That's a statewide problem, because most Kansas lawns have compacted soil, unless given regular help. If for no other reason, the soil's oxygen gets squeezed out by the traffic of pets, playing children, lawn mowers and the like. Thatch buildup and even lawn irrigation help the strangulation along, said Matt Fagerness, horticulturist at Kansas State University.

homeowners core aerate lawns at least once a year, unless they have sandy soils or a brand-new grass stand. Those with severe compaction or thatch will need to aerate twice yearly.

The best time to aerate tall fescue and Kentucky bluegrass is March and/or September. Best for bermuda, buffalo grass and zoysia is anytime from late May through July.

To do the job, cores need to be 3-inches apart. That usually requires three or more passes over the lawn, with each pass going in a different direction.



Kansans can get more information about lawn management at their county's K-State Research and Extension office or on the web www.oznet.ksu.edu/library/hort2/lawn.htm



By shopping the money-saving advertisements in *The Saint Francis Herald*, you will save more than the weekly price of the newspaper.



**Don't Take Chances
Call Before You Dig**

Planning those outdoor projects?

Aquila reminds you to call **1-800-DIG-SAFE (1-800-344-7233)** at least two working days before you plant a tree, build a fence or begin any project where you might dig into underground utility lines.

This **free service** will ensure that the location of any underground lines and facilities is clearly marked. Don't take chances.

A single call to Kansas DIG SAFE will help you avoid potential expense — and the possibility of serious or fatal injury. For your own safety, remember to call before you dig.



Aquila
Providing Energy
For Better Living™

Ag Talk with Jeanne

Oats can help with short hay supplies

By **Jeanne Falk**
K-State Multi-County
Agronomist

With hay in short supply, many producers need a little extra forage this spring. Oats fit our systems pretty well for a number of reasons. It grows during cool spring weather when we are most likely to receive some rain and when soil moisture is used most efficiently to produce forage. The window for planting is March 5 to 20 in our area.

In addition, seed is relatively cheap. The catch may be getting the seed. Sharp Brothers Seed and

Ehmke Seed, both in Healy, may be the closest place to get it. It is important make sure you are planting seed oats, not feed oats. Varieties for forage should be selected. Planting rate is 48 to 64 pounds per acre.

One of the advantages of oats is they can be utilized a number of ways. Grazing can likely begin in late April and early May. Oat hay is ideal for young livestock, if cut when oats just begin to head out. For stock cows, yield can be increased by about one-third if cutting is delayed until the oats are in the early milk stage. In addition, milk

to early dough stage oats makes excellent silage. The amount of forage spring oats will produce can range from 0.5 to 3 tons of dry matter per acre, depending upon growing conditions and soil fertility. The quality of forage produced will depend on the stage of maturity at the harvest. As maturity increases, quality declines rapidly.

With hay in short supply and a tight supply projected for the upcoming year, spring oats may be a good fit for your operation to help meet your forage needs.

By
Jeanne Falk



I.C. Images & Studio

Stan & Janice Stroup ~ 308-423-5440 ~ 33988 Rd. 713 ~ Benkelman

March 3 to June 3!!! ALL 2007 High School Graduates will receive a family photo of two separate images for \$50. NO Studio Charge. This package includes 1-8x10 and 2-5x7's.
All photos printed by Miller Professional Lab

SPRING MACHINERY CONSIGNMENT AUCTION

Fri., March 23
10:30 a.m. CT

Auction Site: Western Auction & Real Estate Auction Pavilion, W. Hwy. 36, St. Francis, KS

COMBINES-GRAIN CARTS-FARM EQUIP.-CATTLE EQUIP.-VEHICLES-SHOP TOOLS-MISC.

1994 Oldsmobile Ninety-Eight Car, 3800 6 cyl. motor, FWD, auto trans., 4 door, leather, loaded, 98,922 mi.; John Deere B Tractor, 2 cyl. gas, new magneto, good tires, needs some engine work; 1957 John Deere 720 Tractor, diesel, w/starting motor, 10 hrs on complete overhaul, new sleeves, been shedded, good condition; 1973 Ford Tandem Truck, steel box, 5 spd/2spd trans.; 1993 Ford Ranger; 2000 Bear Tracker 4 wheeler, 2WD; 1988 GMC Jimmy, 4 cyl., 4WD, 70,000 mi; Superior Goose-neck Flat bed trailer w/Dove tail & ramps, metal floor, 8' wide, 24' long, triple axle w/hay rails—NO TITLE; 1993 20' Crestliner Pontoon, setup for fishing, 1996 25 hp. Yamaha motor, like new, on 2002 Yacht Club Trailer; 1987 Case IH 1680 Axial Flow Combine, 3461 hrs, 25' header w/updates, 30.5L-32 tires; 1976 Gleaner L Combine, hydro-stat, cab air, 18.4-34 tires, 24' header; 1961 IHC Truck w/ 16' Steel Box & Hoist, BC 170 Series, 345 V8 motor, 5 spd/2 spd trans; John Deere 300 Twin Knife Hydro Swing Swather, 14'; John Deere 530 Big Round Baler w/new tires.

John Deere 4600 6 bottom Rollover Plow; 4 bottom, 3 pnt, Rollover Plow; 1959 Case Model 850 self-propelled Swather, rubber platform, good shape, been shedded; John Deere 9 shank Pull Type Ripper; John Deere 613 Rotary Mower, 6', 3 pnt.; 500 bu EZ Trail Grain Cart w/hyd. shut off & hyd fold auger, 18.4-26 tires; BJM 400 bu Grain Cart w/Roll over tarp, 1000 PTO, Model HW 400; Dirt Wagon w/hyd Dump 16-9-30 tires, 4 cyl. Perkins Motor, 60 hp, 4 spd trans w/high low split 963 hrs; 5x5 Sunflower Sweeps w/Richardson Pickers; 3x6 Flex King Sweeps w/Old Style Pickers & Hitch; 3x7 Flex King Sweeps w/Old Style Pickers; 22' Miller flex Chisel on hyd.; 32' Crustbuster, 3 row Spring Tooth; 36' Flex King Rod Weeder w/ Drag Harrows; 32' Miller Rod Weeder; (3) 12' Lilliston Hoe Drills, 12" Spacing, hyd, w/hyd. transports; 22' Gleaner Header Setup w/9" Sunflower Pans.

2 Orthman hyd. Markers; Brandt Sprayer, tandem axle

w/1000 gal tank, 60' booms w/Landmark Foamer Kit; 40' Kuger Sprayer, T-Jet Controlled w/break away booms; 4 Section Rotary Mower, 3 pnt.; Westfield 8" PTO Auger, 51' long; Hyd. Drill Fill Auger; Over head Machinery Carrier; Pearson Squeeze Chute; (2) Hi-Qual feed bunks, metal, 12' long; Bottomless Feed Bunks; (20) Tractor Tire Feed Bunks; Cement Tank; Windmill Tower; Portable Hay Trailer, 20'; Queue Chute w/Self Catch Head Gate; Sev. Livestock Panel; Lots of Lumber; 500 gal Propane Tank; 300 gal Gas Tank on Stand; 32 joints 8" Gated Irrigation Pipe, 30' long & 8" elbows. **PLAN TO BE ON TIME, ITEMS WILL NOT TAKE LONG TO SELL!**

Consignments of Area Farmers and Ranchers Reputation Shop Items and Tools!

6" Sears Craftsman Planer; 7 x 14 AMT Band Saw; National 5 speed Press Drill; 7 x 12 Foley Belsaw Planer; Thompson Mini-Walking Foot, model PW 103-A-GBP Series 83, Upholstery machine on table, Like New.

6 Routers: Sears Craftsman 1-1/4 hp w/table; Rockwell Veneer Router; Black & Decker 1-1/4 hp, 8.5 amp; Skil 1840 Router, 1-3/4 hp 9 amp; Skil 1835 plunge router, 9 amp

Several hand drills: 6" Belt Sander w/1/2 hp Dayton Motor; Sev. hand sanders; Craftsman jig saw w/blades; 70" Forstner Bit Set 1/4" -1"; Lumber, Misc pieces of Ash, Oak & Others; 8' x 4' Lumber on Rack on Wheels; 4-Wooden Wood Clamps; Sev. Metal Clamps, 12-3', 6-24", 2-6', 2-5' notched; Asst. of Screws, Plugs, Hardware; Die Set; Dato Heads for Table Saw; Many Woodworking Tools; Misc. Supplies; Squares, Levels, C-Clamps, Hand Saws, Misc. Clamps, Saw, Blades, Files, Tin Snips, Hammers, Files, Calipers, Sockets, Wrenches, Misc. Hand Tools; Sears Drawer & Door Panel; Decorator Kit; Hole Cutters & Sawer; 2-Coleman Lanterns; 2-Coleman Double Burner Camp Stoves; Radio Lawn Cart; Patio Swing w/Frame.

Visit our Website for Photos of Many Items!

Jess & Frances Williams, Sellers



W. Hwy. 36 ~ P.O. Box 928
St. Francis, Kansas 67756
785.332.8990

Betty L. Petersen, Broker & Appraiser

Auction & Real Estate LLC

www.westernauctionandrealestate.com
— From Concept to Completion —

Skip Petersen, Sales Agent & Auctioneer
Robin A. Petersen, Assoc. Broker, Appraiser & Auctioneer
Jeff Raile, Personal Property Auctioneer
Brett Petersen, KS Sales Agent & Auctioneer

Licensed in Kansas, Colorado, and Nebraska
for your Real Estate needs!