

Harvest Countdown

Guess when the first load of 2008 wheat will arrive at a participating elevator and win **\$100** in spendable scrip money!



CHECK THIS OUT!

Farm Credit is excited to once again be returning a patronage to its farmer members.

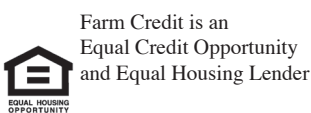
This year's patronage:

\$2,500,000

If you want to be a part of this exciting program, contact Farm Credit.



1055 S. Range - Colby
800-657-6048
www.farmcreditkansas.com



Wishing everyone a bountiful harvest

Attorneys at Law

**STEVEN W. HIRSCH
PRESTON A. PRATT**

Licensed in Nebraska & Kansas

- GENERAL PRACTICE
- ESTATE PLANNING
- WILLS • TRUSTS
- PROBATE



124 S. Penn — Oberlin, Kansas — 785-475-2296

*In-Store Digital
Photo Developer*

Hallmark *Russell Stover*
Candies
Have a safe harvest

WARD DRUG STORE



Kurt Vollertsen



142 S. Penn, Oberlin - 785-475-2285 1-800-698-5757

Highway 36 Oberlin, Kansas
Phone 785-475-3638

☆ **Special This Week** ☆

Tuscani Pasta
Chocolate Bread Sticks
P-Zones & several more
specials



Open Daily
11 A.M.

Welcome to our Hut!



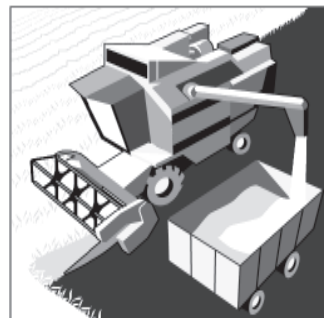
**Gas Grills
on Sale!**

Up to \$50 off

Stanley *Do it Best*
Hardware

Joe and Regina Stanley, owners
149 S. Penn — Oberlin — 785-475-2331

Wishing all of our area wheat producers a bountiful and safe harvest.



SEE US FOR ALL YOUR HARVEST NEEDS

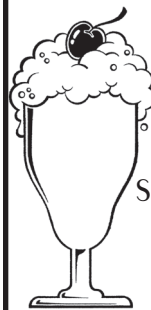


DCA

DECATUR COOPERATIVE ASSOCIATION

OBERLIN - KANONA - JENNINGS
HERNDON - DANBURY, NE
LUDELL - LENORA

FOUNTAIN SPECIAL
FOR THIS WEEK
Sundaes



SMALL REG. \$1.35 SPECIAL \$1.20

LARGE REG. \$1.60 SPECIAL \$1.45

FATHER'S DAY CARDS - 15% Off
BOXED CANDIES & SUGAR-FREE BOXED CANDIES - 15% Off



Family-owned / operated since 1906

Addleman
DRUG STORE

Phone 475-2661 — Oberlin — Toll Free 1-800-794-3784
Service and value are the cornerstones of our business.

Have a Safe and Bountiful Harvest.

See us for all your storage needs.



Hi-Plains Co-op Assn.

405 E. 4th — Colby — 785-462-3351

**DRESDEN, EDMOND, GEM, HALFORD
HOXIE, LENORA AND SELDEN**

See us for all your insurance needs

- *Business
- *Auto *Crop
- *Farm Insurance
- *Multi Peril
- *Fire
- *Rental Insurance

"We sell insurance but specialize in service!"

**Fredrickson
Insurance Agency**

*Your Home-Owned
Independent Insurance Agency*

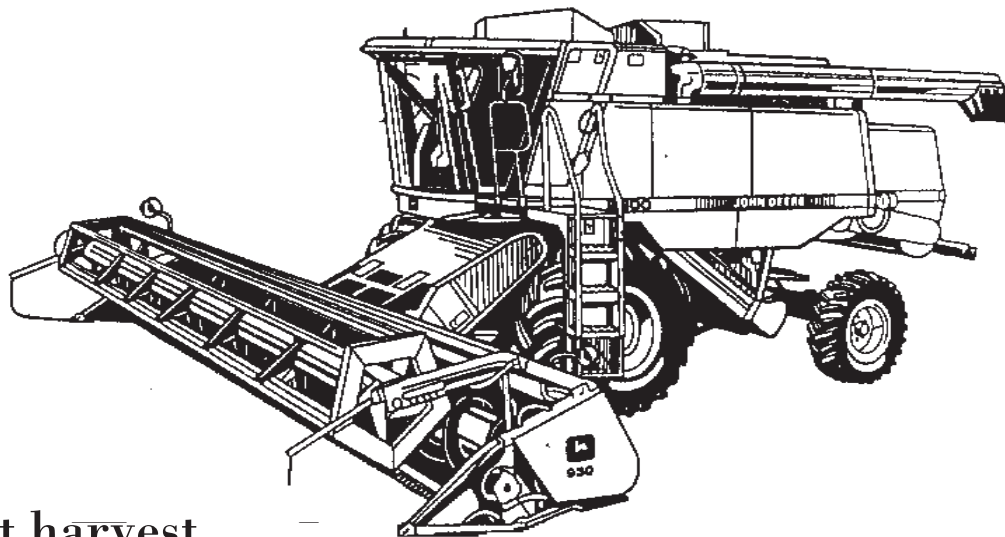
183 S. Penn — Oberlin, Kan.
785-475-3883 or 1-800-321-5063

Listen to KFNF and the MidAmerica Ag Network

With individual reports from area elevators and

**Larry
Steckline**

as he tracks wheat harvest through Kansas and Southwest Nebraska.



**Your
Ag News
Connection**