

Guess when the first load of wheat arrives at the elevator and win \$50, \$35, \$15 spendable at local businesses

Have a Safe and Bountiful Harvest.

See us for all your storage needs.



Hi-Plains Co-op Assn.
405 E. 4th - Colby - 785-462-3351

**DRESDEN, GEM, SELDEN, HALFORD
HOXIE, GRAINFIELD AND PARK**

For All Your Harvest Needs...

With our store you get more room, greater selection, new products and expanded services.

Pick up your favorite deli sandwiches, cold drinks, ice, fresh fruit, snacks, beer, lottery tickets, money orders... anything you need for that fast, hectic pace of harvest.



The only thing that stays the same is our friendly hometown service. Stop in to shop today!

Fresh Daily Bakery
Delicious goodies fresh daily. Breads, pies, sweet treats. All your favorites.

RAYE'S GROCERY
119 W. COMMERCIAL-OBERLIN (785) 475-2952

HOME DECORATOR® LATEX FLAT WALL PAINT

- Better quality
- Good hiding
- Durable, washable
- For living rooms, dining rooms, bedrooms

\$19.99

per gal.

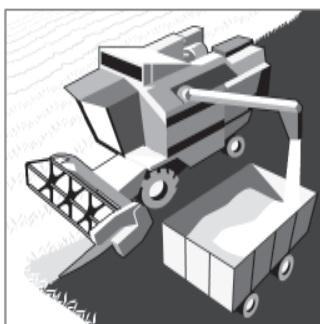


\$20.99
Latex Eggshell

\$21.99
Latex
Satin Gloss
Enamel

Home Planning Center
180 South Penn, Oberlin—Phone 785-475-2325

Wishing all of our area wheat producers a bountiful and safe harvest.



SEE US FOR ALL YOUR HARVEST NEEDS



OBERLIN - KANONA - JENNINGS
HERNDON - DANBURY, NE, NORCATUR
LUDELL - LENORA - EDMOND

*In-Store Digital
Photo Developer*

 *Russell Stover*®
Hallmark Candies

Have a safe harvest

WARD DRUG STORE

 *Kurt Vollertsen* 

142 S. Penn, Oberlin - 785-475-2285 1-800-698-5757

Wishing everyone a bountiful harvest

Attorneys at Law
**STEVEN W. HIRSCH
PRESTON A. PRATT**

Licensed in Nebraska & Kansas

- GENERAL PRACTICE
- ESTATE PLANNING
- WILLS • TRUSTS
- PROBATE



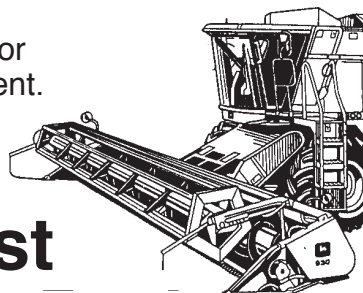
124 S. Penn — Oberlin, Kansas — 785-475-2296

HARVEST TIME

Combine Parts & Service

**ON-THE-FARM
Inspection**

Call early for details or to make an appointment.



**Southwest
Implement**

1-800-794-9550

126 N. Penn — Oberlin, Kansas — (785) 475-3833

WEATHERING THE STORMS SINCE 1893.

More than four generations of farmers have trusted Farmers Mutual Hail. That's just one reason we're the respected leader in the industry. Want more reasons? Call your local Farmers Mutual Hail agent.

Decatur County Title & Abstract Co.

We sell Crop Insurance you can depend on.

181 S. Penn — Oberlin, Kan. 67749

Phone: 785-475-2381 — Fax: 785-475-3556

Look For The Cloud

Farmers Mutual Hail Insurance Company

Harvest values
in the classifieds

475-2206

Farm Credit of Western Kansas

serving the grain producers with a variety of financial services.

We salute the men and women of the grain producing industry.

375 S. Range • Colby
1-800-657-6048

www.farmcreditkanas.com



See A.J. Hurst at the Farm Bureau on Tuesday afternoons.

